

JIG SHOT SEPARATOR

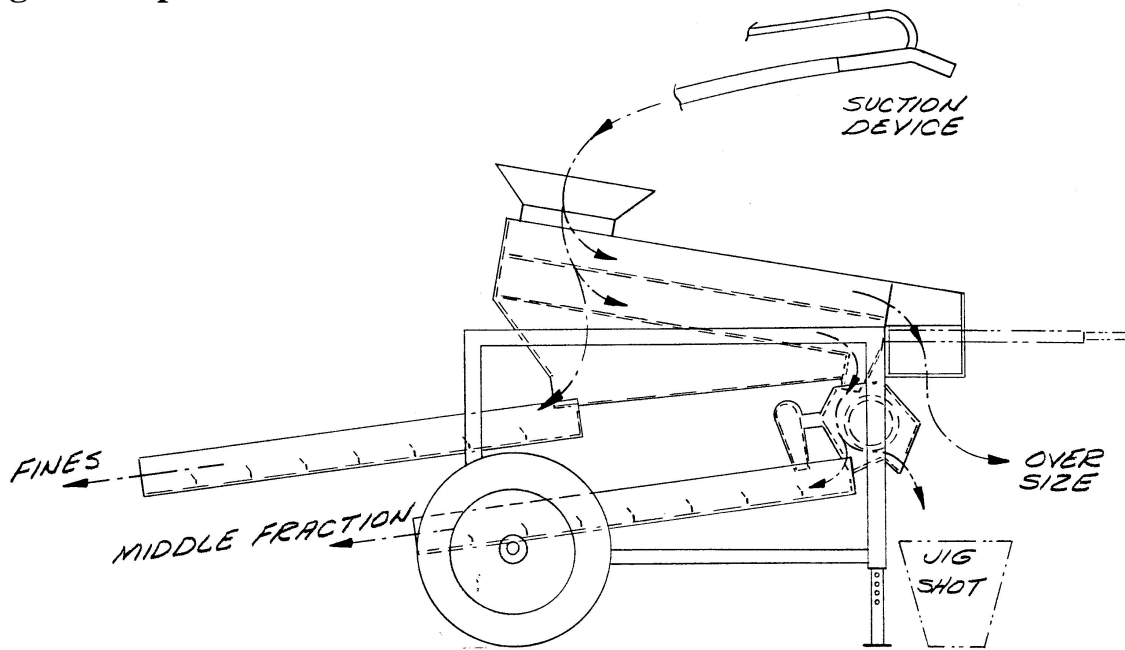


In a single step operation, the Goldfield JIG SHOT SEPARATOR separates and cleans steel jig from the mineral jig tray concentrate while recovering the gold that has accumulated. The JIG SHOT SEPARATOR consists of a powerful wash plant with double deck screening, a stainless steel magnetic drum to capture the jig shot, and two sluices to recover the gold. A flexible suction device allows the operator to transport the contents of the jig basket directly into the hopper of the JIG SHOT SEPARATOR without any hands making contact.

MACHINE SPECIFICATIONS: JIG SHOT SEPARATOR

	<u>STANDARD</u>	<u>METRIC</u>
CAPACITY	1-3 Yards ³ /Hr	.76-2.3 Meters ³ /Hr
WASH WATER REQUIREMENTS	100-150 G.P.M. @30-60 PSI	378-567 LPM @207-414kPa
PUMP	8 HP CENTRIFUGAL	6.0 kW CENTRIFUGAL
MAGNETIC WHEEL	12" DIAM PERMANENT	4.7 cm DIAM PERMANENT
FEED HEIGHT	60"	23.66 cm
SHIPPING DIMENSIONS		
WEIGHT	330 Lbs	150 Kg
LENGTH:	55"	1397 mm
WIDTH:	22"	686 mm
HEIGHT:	50"	1270 mm

Jig Shot Separator Schematic



FEATURES OF THE GOLDFIELD JIG SHOT SEPARATOR

- ! The **JIG SHOT SEPARATOR** is entirely water driven with no electrical components. Water may be supplied by an 8HP pump, or drawn directly from the water manifold of the primary processing plant.
- ! A **STAINLESS STEEL MAGNETIC DRUM** with long lasting permanent magnets captures the cleaned jig shot and drops it into a collection bucket. The variable speed drum, with its adjustable magnetic field, allows the operator to regulate the machine for varying feed conditions.
- ! The double deck **VIBRATING SCREEN** is designed to minimize screen plugging and maximize agitation. Oversized material is washed on the top screen, while undersized material (including the jig shot) is classified onto the lower screen for further scrubbing. The gold, classified into two fractions, is recovered by two 4' x 12" sluices. Clean-up is quickly accomplished by sliding out the riffle sections, removing the carpeting, and washing the concentrates into large buckets.
- ! Eight high pressure **SPRAY NOZZLES** run the length of the screen providing thorough scrubbing of the feed material and sufficient water for the sluice box.
- ! **LARGE WHEELS** and **EXTENDABLE HANDLES** make it easy to reposition the JIG SHOT SEPARATOR in the field.

GOLDFIELD *The Leading Placer Specialist*
ENGINEERING COMPANY
a Division of Arrowhead Industrial Corporation

55 South Geneva Road Lindon, Utah 84042
Phone (801) 796-8944; FAX (801) 796-8947; www.goldfieldeng.com